

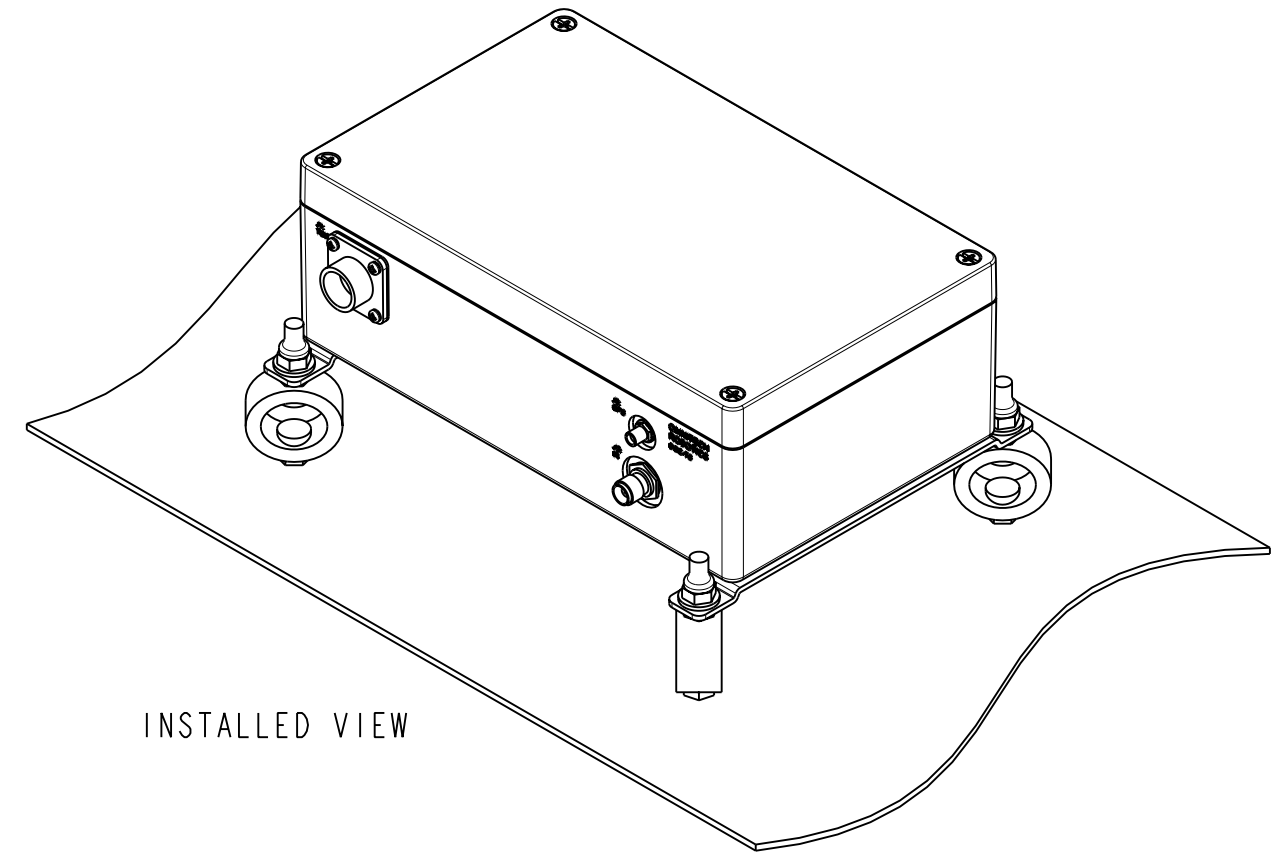
INTERPRET DRAWING IN ACCORDANCE WITH ANSI/ASME Y14.5M-1994

DWG. NO. DRG TS 028 REV P1

REVISIONS				
ZONE	REV	DESCRIPTION	DATE	DRAFT APPR
	PI	FIRST PRELIMINARY DESIGN	9/11/03	SJC


INSTALLATION INSTRUCTIONS:

1. REFER TO SHEET 3 FOR ALL MOUNTING DIMENSIONS AND PARAMETERS.
2. MOUNT THE UNIT IN A PROTECTED AREA OF THE VEHICLE, AWAY FROM ALL HEAT SOURCES AND SOURCES OF ELECTROMAGNETIC INTERFERENCE. (FOR EXAMPLE: ENGINE ELECTRICS, HIGH POWER ACTUATORS, MOTORS, ETC.)
3. UNIT MUST BE MOUNTED HORIZONTALLY USING ALL 4 SHOCK ISOLATION MOUNTS
4. THIS UNIT REQUIRES ADEQUATE VENTILATION. DO NOT INSTALL IN A CLOSED LOCATION OR OTHER ENCLOSURE.
5. ALLOW 6 INCHES OF CLEARANCE IN FRONT OF UNIT FOR CABLE CONNECTIONS.
6. ALLOW 1 INCH OF CLEARANCE ON ALL SIDES FOR UNIT TO FLEX ON MOUNTS UNDER DYNAMIC ACCELERATION.
7. UNIT WEIGHT, LESS CABLES IS APPROXIMATELY 6 POUNDS.

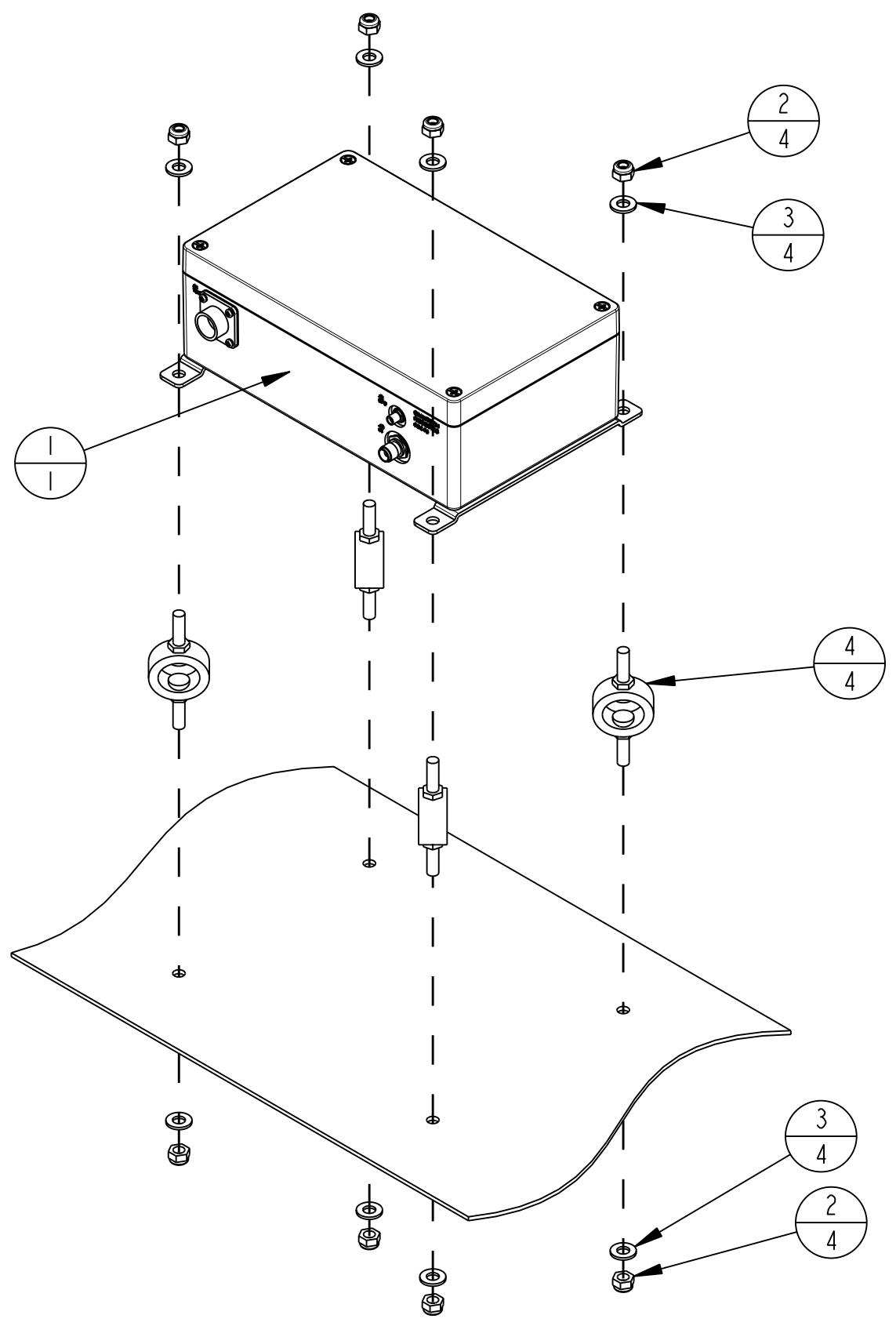


INSTALLED VIEW

SEE EXPLODED VIEW AND PARTS LIST - SHEET 2

UM	CAGE CODE	PART OR IDENTIFYING NO.	NOMENCLATURE OR DESCRIPTION	MATERIAL SPECIFICATION	FIND NO.
QTY REQD					
PARTS LIST					
UNLESS OTHERWISE SPECIFIED DIMENSIONS ARE IN INCHES, TOLERANCES AS SHOWN			 OMNITECH ROBOTICS INTERNATIONAL LLC 2630 S. RARITAN CIRCLE ENGLEWOOD, COLORADO 80110-1147		
DECIMALS ANGULAR 0.1 0.02 0.010 ±0.5° ±.X ±.XX ±.XXX					
MACHINED SURFACES \sqrt{R}			TITLE		
● DO NOT SCALE DRAWING ● DEBURR ALL SHARP EDGES .003-.015			VEHICLE INSTALLATION, TRACKING SYSTEM, DGC		
APPROVALS			DATE		
DRAFT: R.L.WARE			9/11/03		
CHECK:					
DESIGN: D.PARISH			7/30/03		
NEXT ASSY	USED ON	DESIGN:	DATE:		
APPLICATION			CONTRACT:		
SIZE	CAGE CODE	DWG. NO.	REV		
B	1M7P5	DRG TS 028	P1		
SCALE	UNIT WT	SHEET			
NONE	LBS	1 of 3			

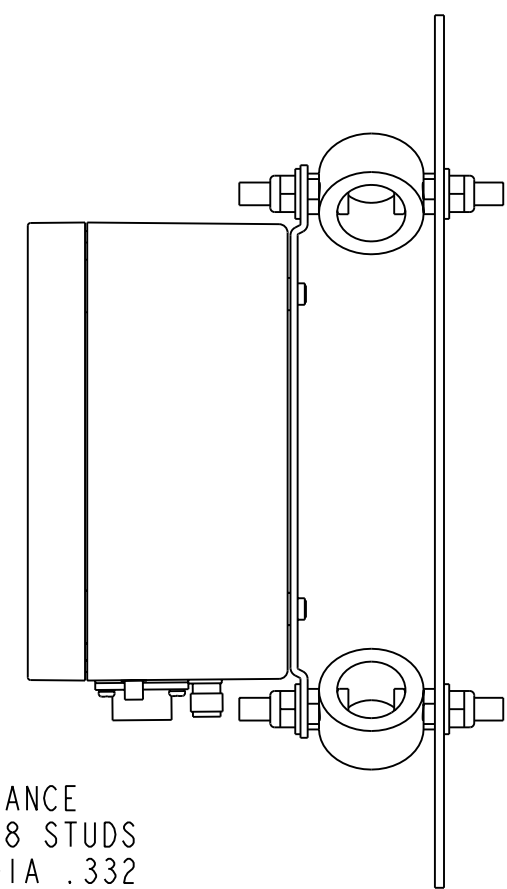
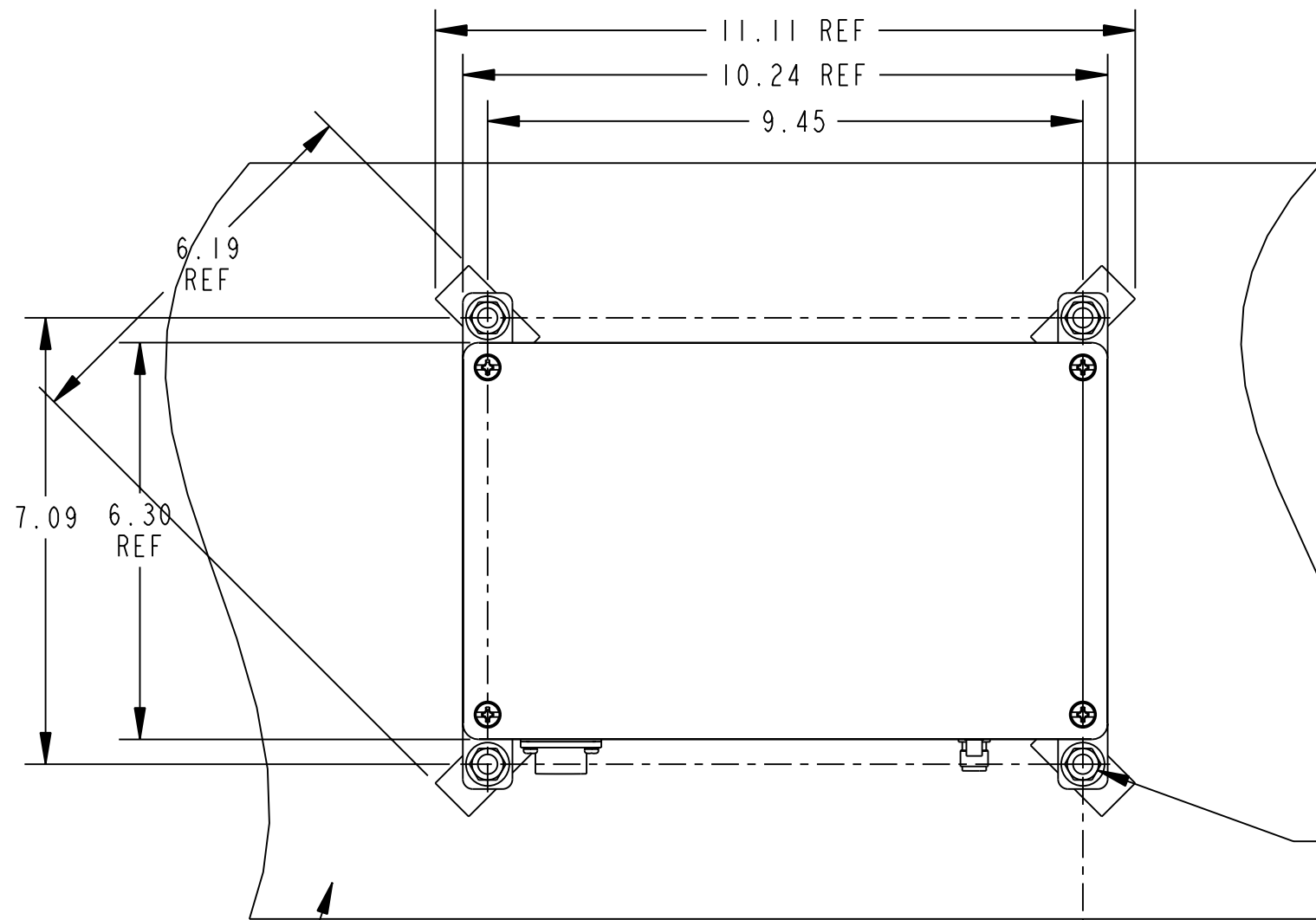
THIS DOCUMENT AND THE INFORMATION AND/OR DESIGNS CONTAINED HEREIN ARE THE PROPERTY OF OMNITECH ROBOTICS INTERNATIONAL LLC. THE USE OF THE INFORMATION OR THE DESIGNS OR REPRODUCTION OF THIS DOCUMENT IS EXPRESSLY PROHIBITED WITHOUT THE WRITTEN CONSENT OF OMNITECH ROBOTICS INTERNATIONAL LLC.



QTY REQD	UM	CAGE CODE	PART OR IDENTIFYING NO.	NOMENCLATURE OR DESCRIPTION	MATERIAL SPECIFICATION	FIND NO.
4	EA	MCMaster	5822K11	MOUNT, SHOCK ISOLATION, 5/16-18 CENTER MTG		4
8	EA	MCMaster	98023A030	WASHER, FLAT, SAE, 5/16, STL-ZINC		3
8	EA	MCMaster	95615A160	NUT, 5/16-18, LOCK, NYLON INSERT, GRD 5, STL-ZINC		2
1	EA	ORI	DGC-031	ASSY, TRACKING SYSTEM UNIT, DGC		1

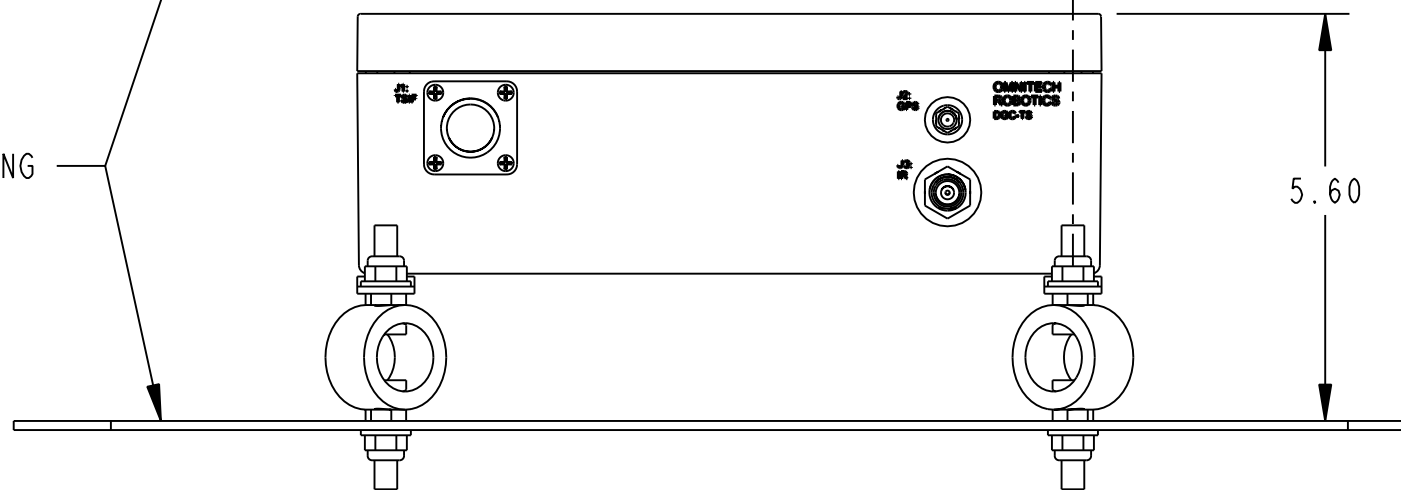
PARTS LIST

THIS DOCUMENT AND THE INFORMATION AND/OR DESIGNS CONTAINED HEREIN ARE THE PROPERTY OF OMNITECH ROBOTICS INTERNATIONAL LLC. THE USE OF THE INFORMATION OR THE DESIGNS OR REPRODUCTION OF THIS DOCUMENT IS EXPRESSLY PROHIBITED WITHOUT THE WRITTEN CONSENT OF OMNITECH ROBOTICS INTERNATIONAL LLC.	SIZE	CAGE CODE	DWG. NO.	REV
	B	1M7P5	DRG TS 028	P1
SCALE	UNIT WT	SHEET		
NONE	LBS	2		



DRILL 4 HOLE CLEARANCE
PATTERN FOR 5/16-18 STUDS
RECOMMENDED HOLE DIA .332
4 MOUNTS

VEHICLE MOUNTING
SURFACE



ALLOW 2 INCHES CLEARANCE ABOVE THIS
DIMENSION FOR SHOCK MOUNT EXTENSION,
AND VENTILATION

SCALE 3:8

THIS DOCUMENT AND THE INFORMATION AND/OR DESIGNS
CONTAINED HEREIN ARE THE PROPERTY OF OMNITECH
ROBOTICS INTERNATIONAL LLC. THE USE OF THE
INFORMATION OR THE DESIGNS OR REPRODUCTION OF
THIS DOCUMENT IS EXPRESSLY PROHIBITED WITHOUT
THE WRITTEN CONSENT OF OMNITECH ROBOTICS
INTERNATIONAL LLC.

SIZE B	CAGE CODE 1M7P5	DWG. NO. DRG TS 028	REV P1
SCALE NONE	UNIT WT	SHEET LBS	3